



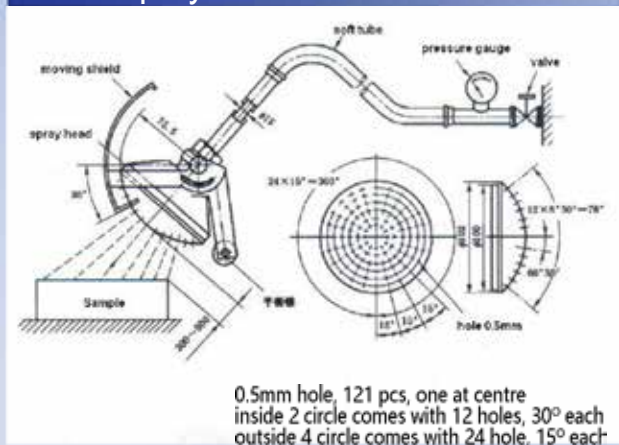
Rain Spray Test System

Spray Nozzles

Model : HH-34



IPX3,4 spray nozzle head

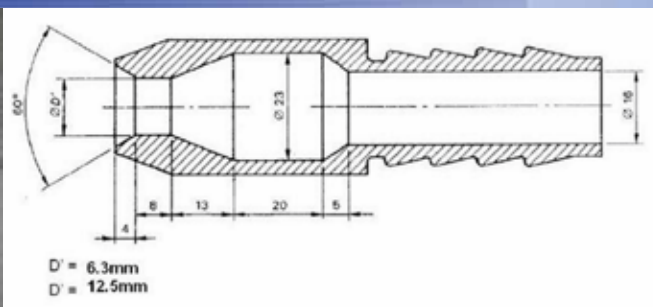


0.5mm hole, 121 pcs, one at centre inside 2 circle comes with 12 holes, 30° each outside 4 circle comes with 24 hole, 15° each

IPX3, 4 test

- 1) Sample distance from the spray head : 300mm-500mm
- 2) Water flow rate at each hole : 10L/min
- 3) Testing time : >5mins

Model: RJ01, RJ02



D' = 6.3mm
D' = 12.5mm

IPX5, 6 test

- Model : RJ-01 with 6.3mm nozzle diameter, for IPX5 test . Water flow: 12.5L/min.
- Model : RJ-02 with 12.5mm nozzle diameter, for IPX6 test. Water flow: 100L/min.

Testing Time : >3mins

